

UL/CSA NAMEPLATE LABELS

TTL™ 300 SERIES

HIGHLIGHTS

- Economical nameplates, rating plates, serialized barcode, and instructional labels
- Lifelong product identification
- **UL/CSA approved***

FEATURES

- Thermal transfer printable
- 10 stock sizes

TTL™ 300 series labels are cost-effective **UL/CSA recognized products** for nameplates, rating plates, serialized barcode, and instructional labels used on smooth surfaces. Contact an IDENTCO Application Engineer for recommendations on alternative materials for powder coated surfaces.

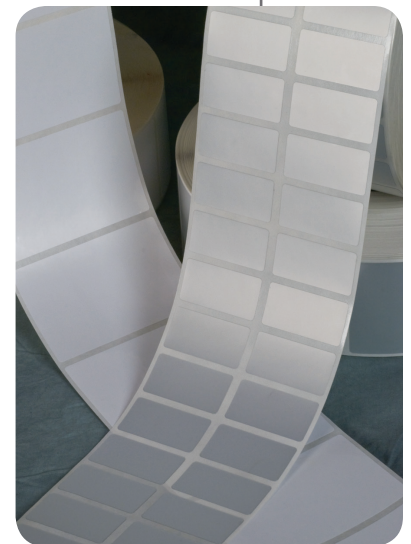
To achieve optimal print quality and **UL/CSA recognition**, IDENTCO TTL™ 300 series labels have been thoroughly tested and qualified to match a TTRR™ series ribbon.

***UL/CSA recognitions are contingent upon printing with the appropriate IDENTCO material and TTRR™ ribbon combination specified by Underwriters Laboratories and Canadian Standards Association testing.**

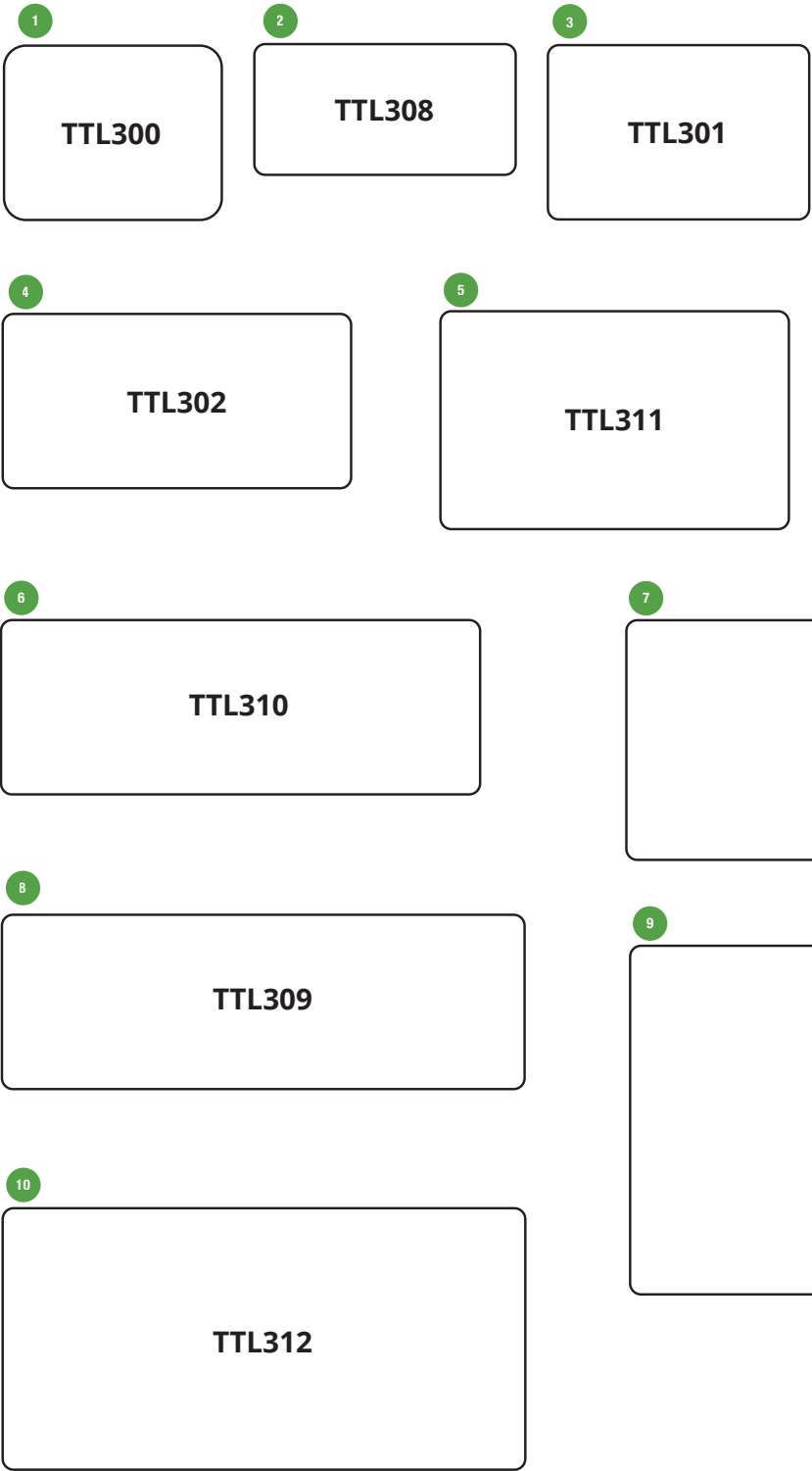
IN-STOCK MATERIALS INCLUDE:

- Gloss white polyester
- Matte white polyester
- Gloss silver polyester
- Matte silver polyester

Refer to pages 25–28 for charts and specifications



TTL™ 300 SERIES

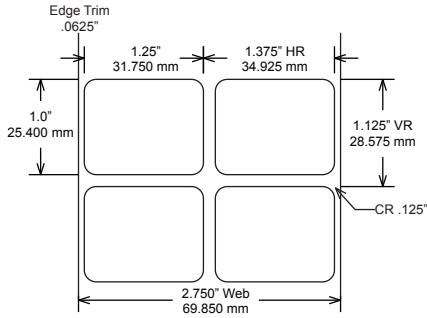


Part #	Qty/roll (x1000)	Inches (w x h)	MM (w x h)	Labels/ row
1) TTL300-XXX-	12	1.25 x 1.00	31.75 x 25.40	2
2) TTL308-XXX-	10	1.50 x 0.75	38.10 x 19.10	2
3) TTL301-XXX-	6	1.50 x 1.00	38.10 x 25.40	1
4) TTL302-XXX-	6	2.00 x 1.00	50.80 x 31.80	1
5) TTL311-XXX-	2.5	2.00 x 1.25	25.40 x 57.20	1
6) TTL310-XXX-	5	2.75 x 1.00	69.85 x 25.40	1
7) TTL304-XXX-	4	2.75 x 1.375	69.85 x 34.90	1
8) TTL309-XXX-	5	3.00 x 1.00	76.20 x 25.40	1
9) TTL307-XXX-	3	3.00 x 2.00	76.20 x 50.80	1
10) TTL312-XXX-	2.5	3.00 x 1.50	76.20 x 38.10	1

Labels shown actual size

1.250" x 1.000"
31.75 mm x 25.40 mm

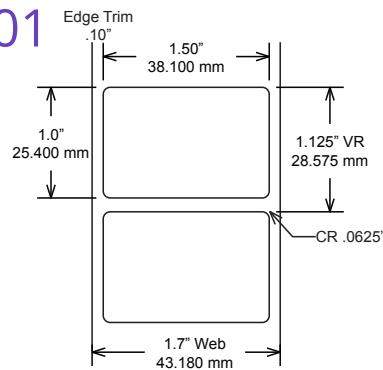
TTL™ 300



Part Number	Material Description	TTRR™
TTL300-700-12	Gloss White Polyester	B,D
TTL300-701-12	Matte White Polyester	B,D
TTL300-730-12	Gloss Silver Polyester	B,D
TTL300-740-12	Matte Silver Polyester	B,D

1.500" x 1.000"
38.10 mm x 25.40 mm

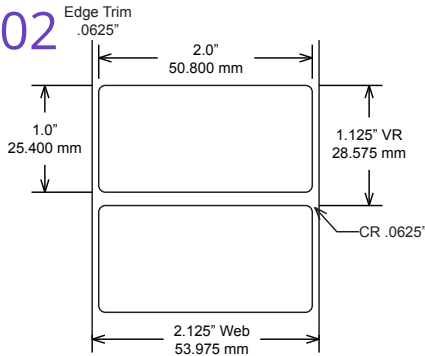
TTL™ 301



Part Number	Material Description	TTRR™
TTL301-700-6	Gloss White Polyester	B,D
TTL301-701-6	Matte White Polyester	B,D
TTL301-730-6	Gloss Silver Polyester	B,D
TTL301-740-6	Matte Silver Polyester	B,D

2.000" x 1.000"
50.80 mm x 25.40 mm

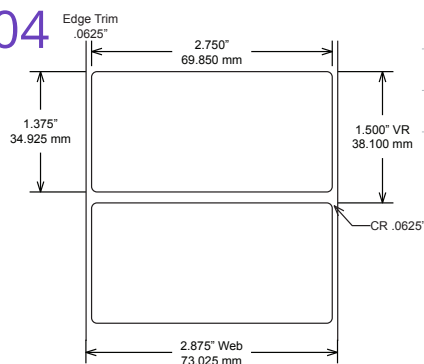
TTL™ 302



Part Number	Material Description	TTRR™
TTL302-700-6	Gloss White Polyester	B,D
TTL302-701-6	Matte White Polyester	B,D
TTL302-730-6	Gloss Silver Polyester	B,D
TTL302-740-6	Matte Silver Polyester	B,D

2.750" x 1.375"
69.85 mm x 34.93 mm

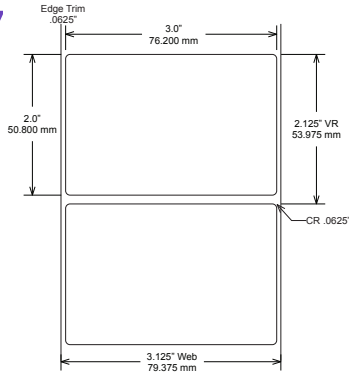
TTL™ 304



Part Number	Material Description	TTRR™
TTL304-700-4	Gloss White Polyester	B,D
TTL304-701-4	Matte White Polyester	B,D
TTL304-730-4	Gloss Silver Polyester	B,D
TTL304-740-4	Matte Silver Polyester	B,D

3.000" x 2.000"
76.20 mm x 50.80 mm

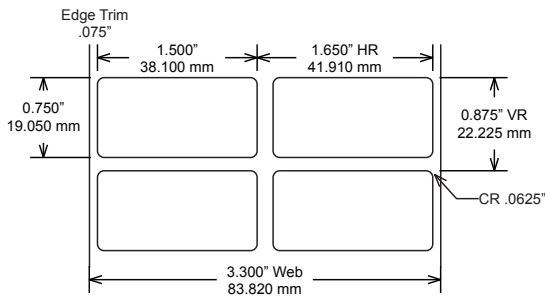
TTL™ 307



Part Number	Material Description	TTRR™
TTL307-700-3	Gloss White Polyester	B,D
TTL307-701-3	Matte White Polyester	B,D
TTL307-730-3	Gloss Silver Polyester	B,D
TTL307-740-3	Matte Silver Polyester	B,D

1.500" x 0.750"
38.10 mm x 19.05 mm

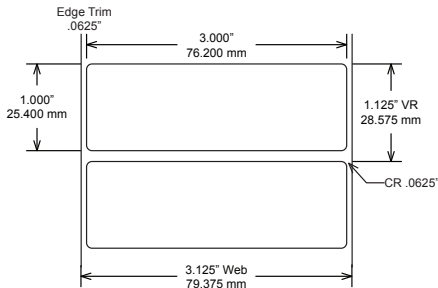
TTL™ 308



Part Number	Material Description	TTRR™
TTL308-700-10	Gloss White Polyester	B,D
TTL308-701-10	Matte White Polyester	B,D
TTL308-730-10	Gloss Silver Polyester	B,D
TTL308-740-10	Matte Silver Polyester	B,D

3.000" x 1.000"
76.20 mm x 25.40 mm

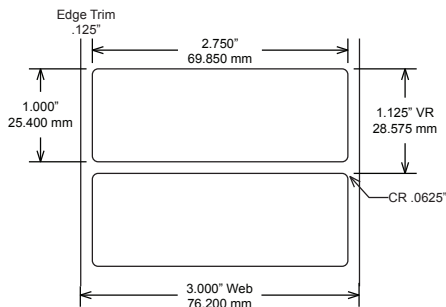
TTL™ 309



Part Number	Material Description	TTRR™
TTL309-700-5	Gloss White Polyester	B,D
TTL309-701-5	Matte White Polyester	B,D
TTL309-730-5	Gloss Silver Polyester	B,D
TTL309-740-5	Matte Silver Polyester	B,D

2.750" x 1.000"
69.85 mm x 25.40 mm

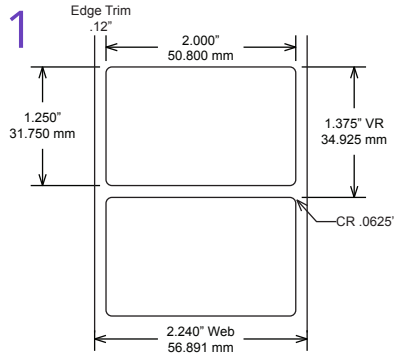
TTL™ 310



Part Number	Material Description	TTRR™
TTL310-700-5	Gloss White Polyester	B,D
TTL310-701-5	Matte White Polyester	B,D
TTL310-730-5	Gloss Silver Polyester	B,D
TTL310-740-5	Matte Silver Polyester	B,D

2.000" x 1.250"
50.80 mm x 31.75 mm

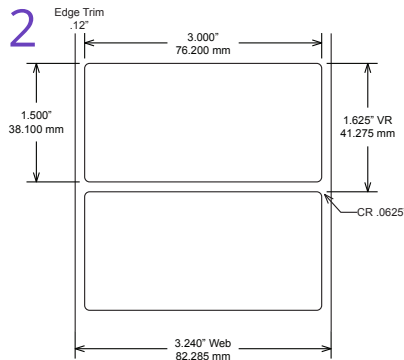
TTL™ 311



Part Number	Material Description	TTRR™
TTL311-700-2.5	Gloss White Polyester	B,D
TTL311-701-2.5	Matte White Polyester	B,D
TTL311-730-2.5	Gloss Silver Polyester	B,D
TTL311-740-2.5	Matte Silver Polyester	B,D

3.000" x 1.500"
76.20 mm x 38.10 mm

TTL™ 312



Part Number	Material Description	TTRR™
TTL312-700-2.5	Gloss White Polyester	B,D
TTL312-701-2.5	Matte White Polyester	B,D
TTL312-730-2.5	Gloss Silver Polyester	B,D
TTL312-740-2.5	Matte Silver Polyester	B,D

your #1 resource for...
Printers



Pages 34-35