

# WMP



Labels for Life.

## WIRE MARKING PRODUCTS



[www.identco.com](http://www.identco.com)

IDENTCO partners with industrial, transportation, and electronics customers across the globe to develop high performance labeling solutions that outlast the products they identify. We have a singular focus: labeling solutions. Adopting this singular focus has allowed us to develop and refine our processes over the past 30 years, and become leaders in collaborative, technology driven solutions.

IDENTCO TTP™ solutions offer optimal labels, ribbons, and equipment for your company's on-demand identification needs.

## WMP™ – WIRE MARKING PRODUCTS

- Heat Shrink Sleeves (formatted and continuous)
- Self-laminating Cable Identification Labels
- Print-protected Labels
- Flag Wire Markers



## CPP™ – CUSTOM PRINTED PRODUCTS

- Brand Recognition Labels
- Graphic Overlays
- UL / CSA Nameplates
- Information & Instructional Labels
- Security & Anti-Counterfeiting Labels



## DCP™ – DIE CUT PRODUCTS

- Protective Masks & Lenses
- Adhesives & Bonding
- Insulators
- Custom Engineered Products



## TTP™ – THERMALTRANSFER PRODUCTS

- Stock Blank Labels
- Custom Blank and Pre-printed Labels
- Labels for Automatic Placement Equipment
- Thermal Transfer Ribbons
- Thermal Transfer Printers & Label Software
- Scanners, Rewinders, Dispensers, & SMT Label Feeders

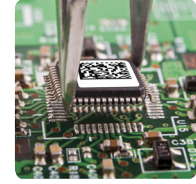


# WMP™

## WIRE MARKING PRODUCTS



**Labels for Life.**



<b>IMS Series Heat Shrink Wire Markers</b>	<b>Visual Data Management for Tough Environments</b>	<b>2</b>
<b>Label Reference Guide</b>	<b>Standard Label Configuration &amp; Terms</b>	<b>3</b>
<b>Wire &amp; Cable Identification Labels</b>	<b>TTL™ 200 Series</b>	<b>18</b>
<b>TTL™ 200 Series Product Specifications</b>	<b>Illustrations &amp; Reference: TTL™ 200-210</b>	<b>19-22</b>
<b>Thermal Transfer Ribbons</b>	<b>TTRR™ Series: Resin &amp; Wax/Resin Combination Ribbons</b>	<b>30</b>
<b>Thermal Transfer Ribbons</b>	<b>TTR™ Series: Wax Ribbons</b>	<b>31</b>
<b>Print Service Bureau</b>	<b>Variable Printing Alternative</b>	<b>32</b>
<b>Thermal Transfer Printers</b>	<b>ELP™ Series - ELP-D™, ELP-D2™, ELP-I™</b>	<b>34</b>
<b>Thermal Transfer Printers</b>	<b>ELP™ Series Model Comparisons</b>	<b>35</b>
<b>Assume Quality, Expect Perfection</b>	<b>Highest Quality Global Production</b>	<b>40</b>

# IMS SERIES HEAT SHRINK WIRE MARKERS

## VISUAL DATA MANAGEMENT FOR TOUGH ENVIRONMENTS

### HIGHLIGHTS

- Military grade standards
- 3:1 shrink ratio standard (2:1 available)
- Thermal transfer printable
- Chemical and abrasion resistance
- Custom colors and sizes available

### FEATURES

- Multiple shrink ratios
- Permanent identification sleeves
- Made from a flame retardant, radiation cross-linked heat shrinkable polyolefin
- Quick cool down time for heat sensitive areas
- Optimal performance when printed with the recommended IDENTCO TTR™-D ribbon and printer
- Resistant to harsh chemicals, abrasion, as well as many fuels & oils

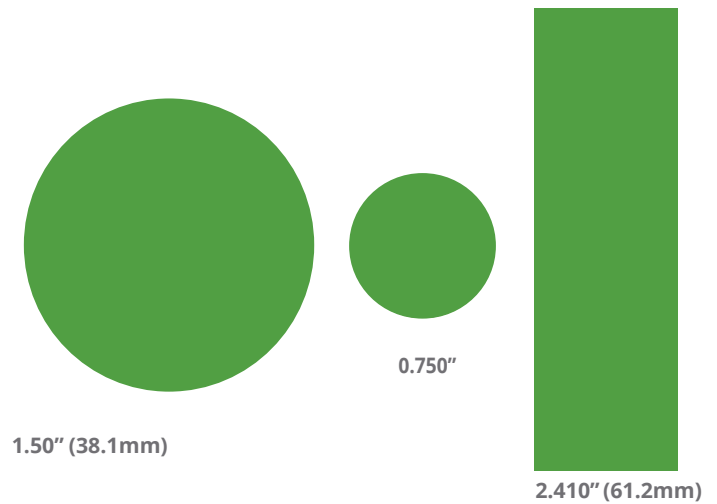
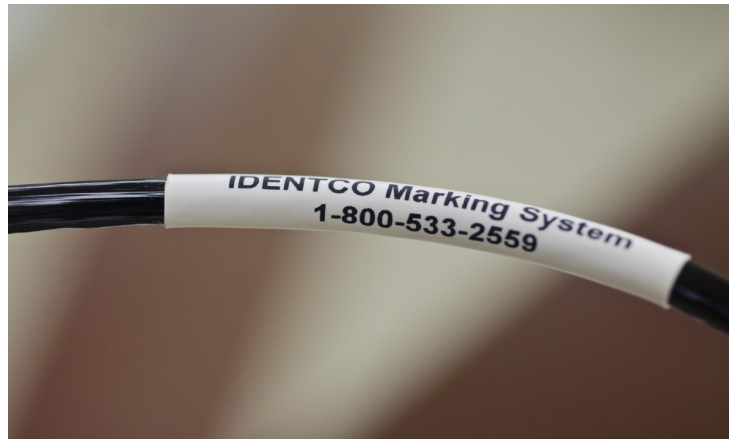
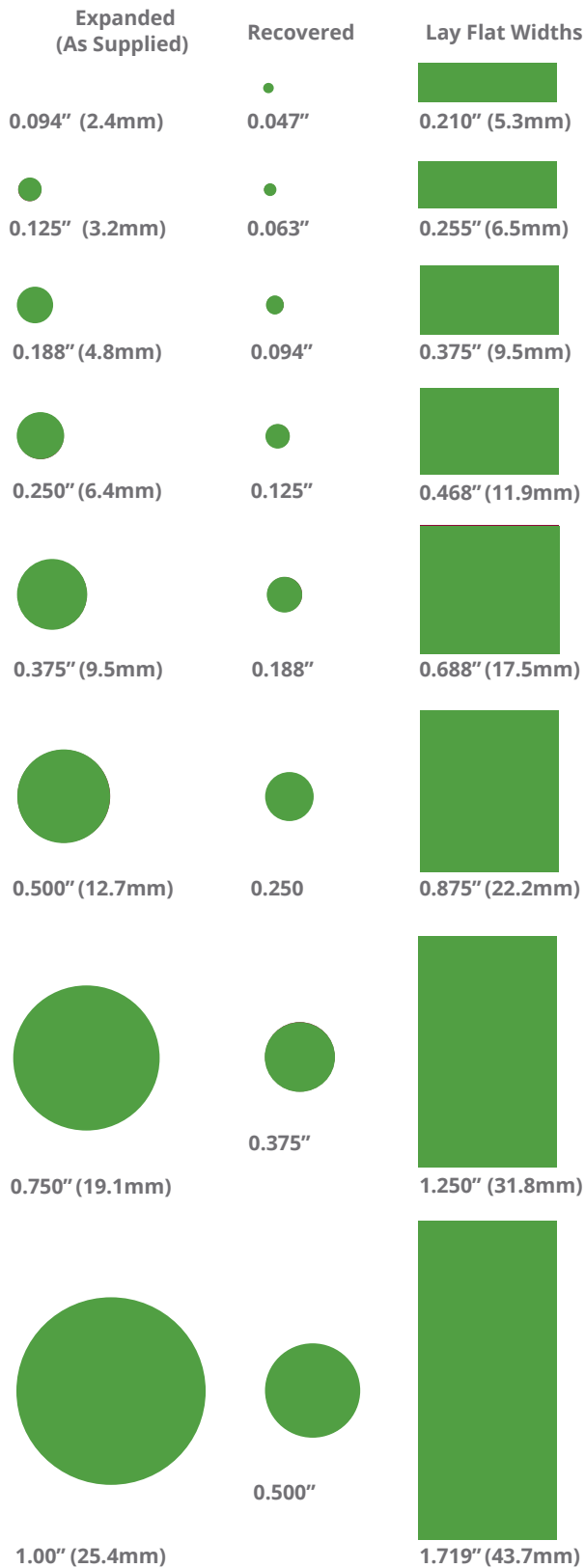


### IDENTCO MARKING SYSTEM 3:1 SHRINK RATIO

Part Number	Size in.	Size mm
IMS-2.0-.094SM-2.5W	3/32"	2.4
IMS-2.0-.125SM-2.0W	1/8"	3.2
IMS-2.0-.188SM-1.5W	3/16"	4.8
IMS-2.0-.250SM-1.5W	1/4"	6.4
IMS-2.0-.375SM-1.0W	3/8"	9.5
IMS-2.0-.500SM-0.5W	1/2"	12.7
IMS-2.0-.750SM-0.5W	3/4"	19.1
IMS-2.0-1.00SM-0.25W	1"	25.4
IMS-2.0-1.50SM-0.25W	1 1/2"	38.1



# WIRE SIZE CHART



DIAMETERS AND LAY FLAT WIDTHS SHOWN AT ACTUAL SIZE

SIMPLY PLACE YOUR WIRE ON THE EXPANDED CHART TO FIND YOUR SHRINK SLEEVE SIZE

## SIZE COMPARISON CHART

Part Number	Size in.	Size mm
IMS-2.0-.094SM-2.5W	3/32	2.4
IMS-2.0-.125SM-2.0W	1/8	3.2
IMS-2.0-.188SM-1.5W	3/16	4.8
IMS-2.0-.250SM-1.5W	1/4	6.4
IMS-2.0-.375SM-1.0W	3/8	9.5
IMS-2.0-.500SM-0.5W	1/2	12.7
IMS-2.0-.750SM-0.5W	3/4	19.1
IMS-2.0-1.00SM-0.25W	1	25.4
IMS-2.0-1.50SM-0.25W	1-1/2	38.1

# WIRE & CABLE IDENTIFICATION LABELS

## TTL™ 200 SERIES

### HIGHLIGHTS

- Excellent product conformity
- Unique “site-hole” technology
- **UL approved\***

### FEATURES

- Thermal transfer printable
- Self-laminating vinyl film
- Custom sizes, colors, and formats

Designed for cable and wire identification, the TTL™ 200 Series also works on other surfaces requiring conformability. IDENTCO unique “site-hole” technology allows virtually any thermal transfer printer to print clear self-laminating labels accurately with minimal waste.

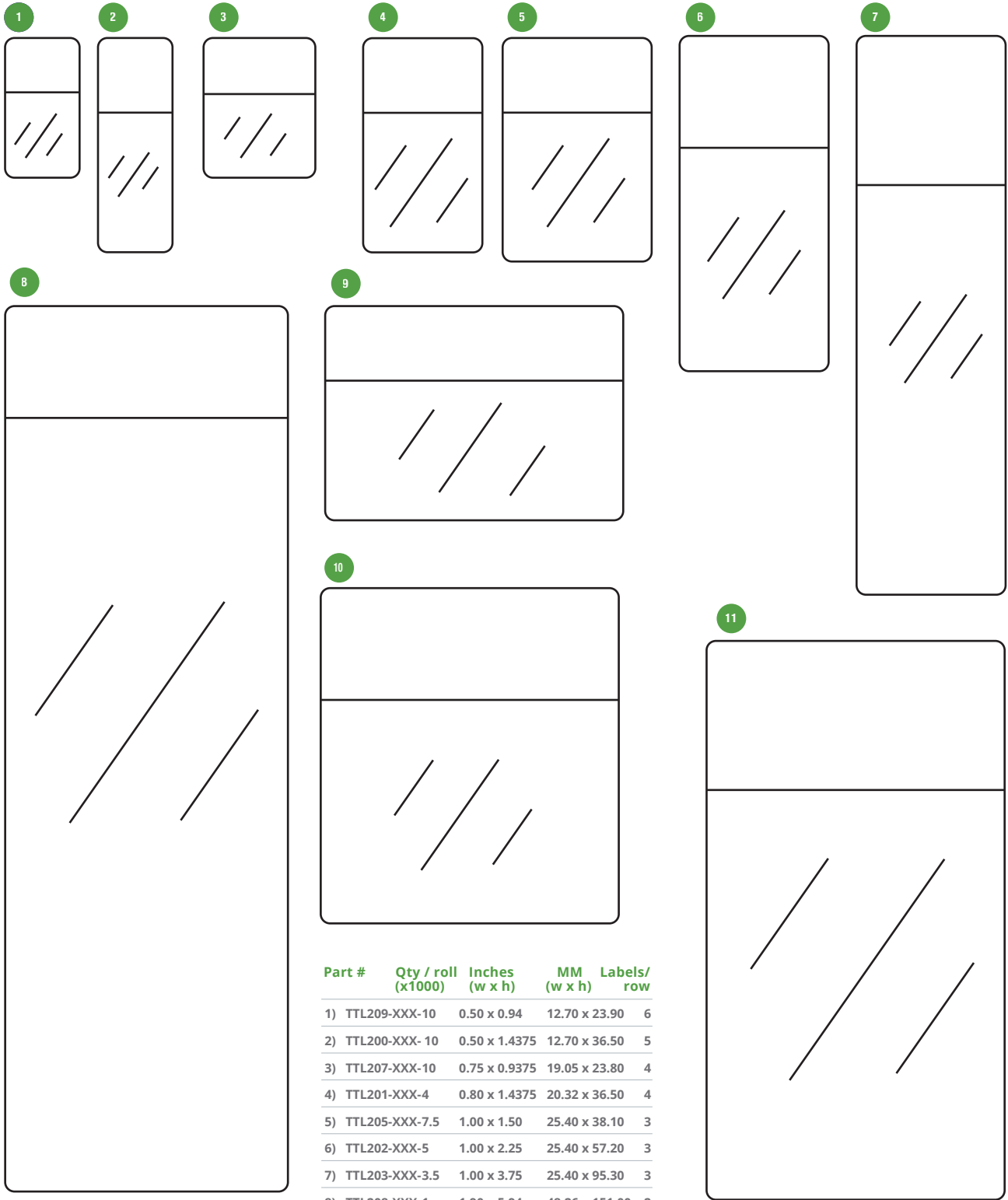
IDENTCO wire and cable labels have been thoroughly tested and qualified to match the TTRR™-A ribbon.

Combining the wire and cable labels with the TTRR™-A ribbon promises optimal print quality, **UL recognition** and lifelong product labels.

**\*UL recognition is contingent upon printing with the appropriate IDENTCO material and TTRR™ ribbon combination as specified by Underwriters Laboratories testing.**



# TTL™ 200 SERIES



Part #	Qty / roll (x1000)	Inches (w x h)	MM (w x h)	Labels/ row
1) TTL209-XXX-10	0.50	0.94	12.70 x 23.90	6
2) TTL200-XXX-10	0.50	1.4375	12.70 x 36.50	5
3) TTL207-XXX-10	0.75	0.9375	19.05 x 23.80	4
4) TTL201-XXX-4	0.80	1.4375	20.32 x 36.50	4
5) TTL205-XXX-7.5	1.00	1.50	25.40 x 38.10	3
6) TTL202-XXX-5	1.00	2.25	25.40 x 57.20	3
7) TTL203-XXX-3.5	1.00	3.75	25.40 x 95.30	3
8) TTL208-XXX-1	1.90	5.94	48.26 x 151.00	2
9) TTL210-XXX-2.5	2.00	1.4375	50.80 x 36.50	2
10) TTL204-XXX-1	2.00	2.25	50.80 x 57.20	1
11) TTL206-XXX-1	2.00	3.75	50.80 x 95.30	1

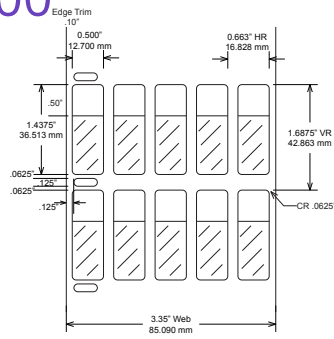
Labels shown actual size 5

**0.500" x 1.438"**  
**12.70 mm x 36.51 mm**

**Part Number**   **Material Description**   **TTRR™**

**TTL™ 200**

TTL200-727-10   Self-Laminating Vinyl with White Thermal Transfer Printable Area   A

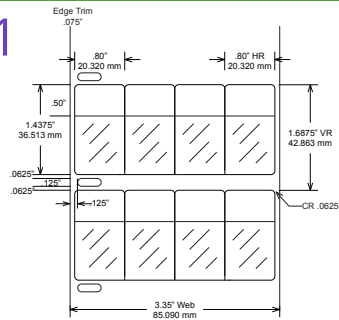


**0.800" x 1.438"**  
**20.32 mm x 36.51 mm**

**Part Number**   **Material Description**   **TTRR™**

**TTL™ 201**

TTL201-727-4   Self-Laminating Vinyl with White Thermal Transfer Printable Area   A

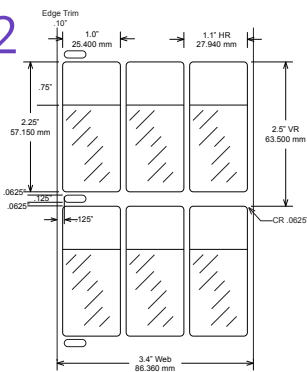


**1.000" x 2.250"**  
**25.40 mm x 57.15 mm**

**Part Number**   **Material Description**   **TTRR™**

**TTL™ 202**

TTL202-727-5   Self-Laminating Vinyl with White Thermal Transfer Printable Area   A

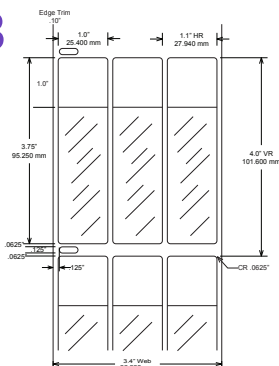


**1.000" x 3.750"**  
**25.40 mm x 95.25 mm**

**Part Number**   **Material Description**   **TTRR™**

**TTL™ 203**

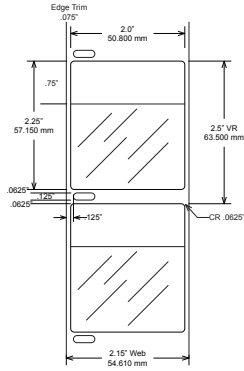
TTL203-727-3.5   Self-Laminating Vinyl with White Thermal Transfer Printable Area   A





**2.000" x 2.250"**  
**50.80 mm x 57.15 mm**

**TTL™ 204**

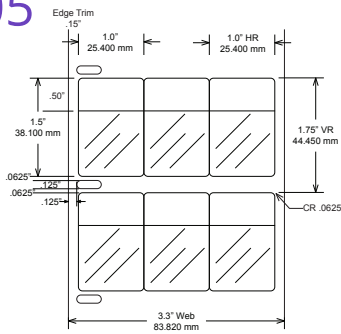


**Part Number**    **Material Description**    **TTRR™**

TTL204-727-1    Self-Laminating Vinyl with White Thermal Transfer Printable Area    A

**1.000" x 1.500"**  
**25.40 mm x 38.10 mm**

**TTL™ 205**

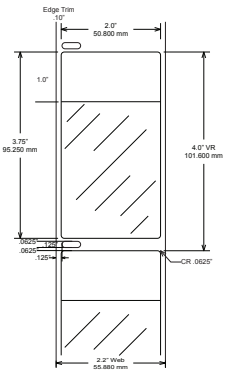


**Part Number**    **Material Description**    **TTRR™**

TTL205-727-7.5    Self-Laminating Vinyl with White Thermal Transfer Printable Area    A

**2.000" x 3.750"**  
**50.80 mm x 95.25 mm**

**TTL™ 206**

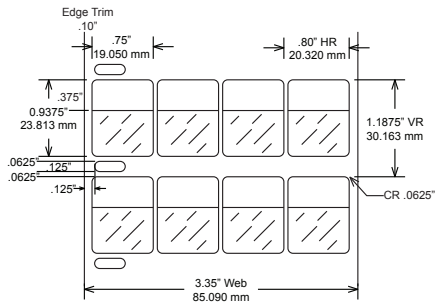


**Part Number**    **Material Description**    **TTRR™**

TTL206-727-1    Self-Laminating Vinyl with White Thermal Transfer Printable Area    A

**0.750" x 0.938"**  
**19.05 mm x 23.81 mm**

**TTL™ 207**

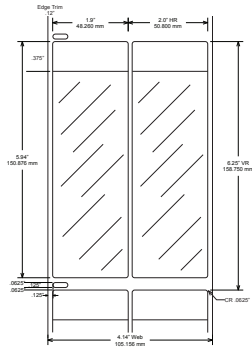


**Part Number**    **Material Description**    **TTRR™**

TTL207-727-10    Self-Laminating Vinyl with White Thermal Transfer Printable Area    A

**1.900" x 5.940"**  
**48.26 mm x 150.88 mm**

**TTL™ 208**



**Part Number**

**Material Description**

**TTRR™**

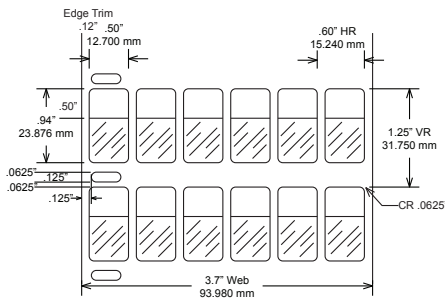
TTL208-727-1

Self-Laminating Vinyl with White Thermal Transfer Printable Area

A

**0.500" x 0.940"**  
**12.70 mm x 23.88 mm**

**TTL™ 209**



**Part Number**

**Material Description**

**TTRR™**

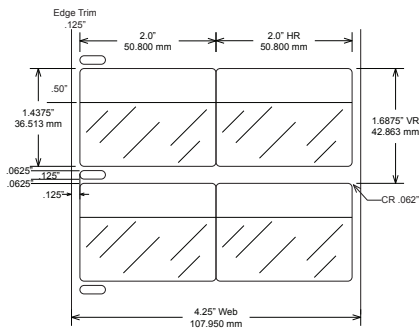
TTL209-727-10

Self-Laminating Vinyl with White Thermal Transfer Printable Area

A

**2.000" x 1.438"**  
**50.80 mm x 36.51 mm**

**TTL™ 210**



**Part Number**

**Material Description**

**TTRR™**

TTL210-727-2.5

Self-Laminating Vinyl with White Thermal Transfer Printable Area

A

# IDENTCO TWM

## TEMPORARY OR "FLAG" WIRE MARKERS

### HIGHLIGHTS

- Area in contact with the wire is adhesive free, therefore no debris will attach to the wire after removal
- Permanent and temporary wire and cable marking
- Highly conformable
- RoHS compliant

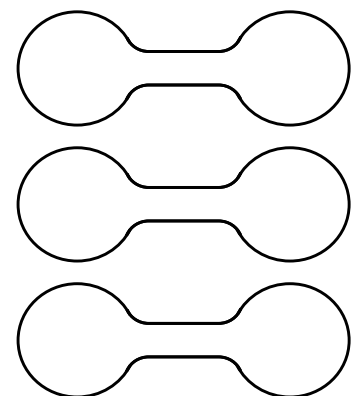
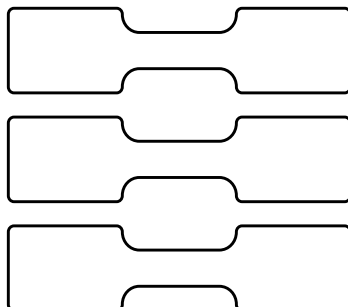
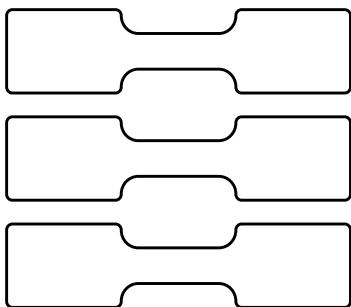
### FEATURES

- Thermal transfer printable with recommended IDENTCO ELP Series printer
- Simple to use design
- Multiple sizes and formats
- Designed to offer no adhesion contact with the wire or cable



Topcoated gloss white polyester that is coated with a patterned, hot-melt adhesive. This product is designed for applications where it is critical to not have any adhesive left over on your wire or cable after the marker is removed.

These wire markers are designed to be temporary tags for applications that require removal after installation. They are extremely durable and can be used in permanent applications if needed.



Refer to pages 19–22 for charts and specifications

# THERMAL TRANSFER RIBBONS

## TTRR™ SERIES

### HIGHLIGHTS

- Abrasion & solvent resistant
- Legend permanence
- Compatible with standard thermal transfer printers
- **UL/CSA approved\***

### FEATURES

- High performance resin and resin / wax
- Coated side in / side out



**\*The TTRR™ Series ribbon passes rigorous quality testing to meet the performance requirements of the TTL™ 100 and TTL™ 300 Series labels. These ribbons are ideal for products which require UL / CSA recognition. Recognition is contingent upon printing with the appropriate ribbon and material, while the critical bond between the two ensures lasting legend permanence.**

#### TTRR-D: ULTRA-DURABLE RESIN RIBBON - FILM CSO CSI

TTRR-D1.0Z	Black	1.00" x 985 ft.	25mm x 300m	•
TTRR-D1.57ZJ	Black	1.57" x 1,476 ft.	40mm x 450m	•
TTRR-D2.36ZJ	Black	2.36" x 1,476 ft.	60mm x 450m	•
TTRR-D3.27ZJ	Black	3.27" x 1,476 ft.	83mm x 450m	•
TTRR-D3.54ZJ	Black	3.54" x 1,476 ft.	90mm x 450m	•
TTRR-D4.33ZJ	Black	4.33" x 1,476 ft.	110mm x 450m	•
TTRR-D1.5F	Black	1.50" x 1,181 ft.	38mm x 360m	•
TTRR-D2.0F	Black	2.00" x 1,181 ft.	51mm x 360m	•
TTRR-D3.0F	Black	3.00" x 1,181 ft.	76mm x 360m	•
TTRR-D3.5F	Black	3.50" x 1,181 ft.	89mm x 360m	•
TTRR-D4.25F	Black	4.25" x 1,181 ft.	108mm x 360m	•

#### TTRR-D (COLORS): ULTRA-DURABLE RESIN RIBBON - FILM CSO CSI

TTRR-D3.54RDZ	Red	3.54" x 985 ft.	89mm x 300m	•
TTRR-D3.54BLZ	Blue	3.54" x 985 ft.	89mm x 300m	•
TTRR-D3.54GRZ	Green	3.54" x 985 ft.	89mm x 300m	•

#### TTRR-B: HIGH PERFORMANCE RESIN RIBBONS - FILM CSO CSI

TTRR-B1.0Z	Black	1.00" x 985 ft.	25mm x 300m	•
TTRR-B1.57ZJ	Black	1.57" x 1,476 ft.	40mm x 450m	•
TTRR-B2.52ZJ	Black	2.52" x 1,476 ft.	64mm x 450m	•
TTRR-B3.15ZJ	Black	3.15" x 1,476 ft.	80mm x 450m	•
TTRR-B3.50ZJ	Black	3.50" x 1,476 ft.	89mm x 450m	•
TTRR-B4.33Z	Black	4.33" x 985 ft.	110mm x 300m	•
TTRR-B4.33ZJ	Black	4.33" x 1,476 ft.	110mm x 450m	•
TTRR-B2.09F	Black	2.06" x 1,182 ft.	52mm x 360m	•
TTRR-B2.99F	Black	2.99" x 1,182 ft.	76mm x 360m	•
TTRR-B3.15F	Black	3.15" x 1,182 ft.	80mm x 360m	•
TTRR-B3.54F	Black	3.54" x 1,182 ft.	90mm x 360m	•
TTRR-B4.33F	Black	4.33" x 1,182 ft.	110mm x 360m	•



# THERMAL TRANSFER PRINTERS

## ELP-D™ & ELP-I™ SERIES

- Desktop Printer: ELP-D™
- Industrial Printer: ELP-I™

### HIGHLIGHTS

- Extremely cost-effective printers
- Quickly integrates with production lines
- Readily accepts a broad array of labels and ribbons

### ELP-D2™

Quality thermal printing for any budget. An affordable and easy-to-use desktop printer for a wide variety of basic, lower-volume labeling applications, including wire-marking products.

### ELP-I™

Perfect for economical, high-performance printing. Rugged and reliable for printing a wide variety of durable label formats in high-volume, demanding applications. A universal printer capable of multiple connectivity and label printing/presenting options making it a easy fit in any industrial operation.

**Check us out on YouTube:**

[www.youtube.com/user/IDENTCOCorp](http://www.youtube.com/user/IDENTCOCorp)



New Photo pending

# THERMAL TRANSFER RIBBONS



## TTR™ SERIES

### HIGHLIGHTS

- Legend permanence
- Compatible with standard thermal transfer printers

### FEATURES

- General purpose wax
- Coated side in / side out

IDENTCO TTR™ Series thermal transfer ribbons are ideal for general purpose applications, including packaging and shipping labels. IDENTCO offers a complete line of thermal transfer ribbons. Please contact an IDENTCO Application Engineer for recommendations on the selection of the appropriate ribbons.

### TTR™ SERIES: GENERAL PURPOSE WAX RIBBONS

Part Number	Color	Width	Length	Width	Length	CSO	CSI
TTR-1.57ZJ	Black	1.57" x 1,476 ft.	40mm x 450m	•			
TTR-2.36ZJ	Black	2.36" x 1,476 ft.	60mm x 450m	•			
TTR-3.15Z	Black	3.15" x 985 ft.	80mm x 300m	•			
TTR-3.26ZJ	Black	3.26" x 1,476 ft.	83mm x 450m	•			
TTR-3.5F	Black	3.50" x 985 ft.	89mm x 300m			•	
TTR-3.54ZJ	Black	3.50" x 1,476 ft.	89mm x 450m	•			
TTR-3.75Z	Black	3.75" x 985 ft.	95mm x 300m	•			
TTR-4.0F	Black	4.00" x 1,182 ft.	102mm x 360m			•	
TTR-4.25F	Black	4.25" x 1,182 ft.	108mm x 360m			•	
TTR-4.33Z	Black	4.33" x 985 ft.	110mm x 300m	•			
TTR-4.33ZJ	Black	4.33" x 1,476 ft.	110mm x 450m	•			
TTR-4.5F	Black	4.50" x 1,182 ft.	114mm x 360m			•	
TTR-5.12ZJ	Black	5.12" x 1,476 ft.	130mm x 450m	•			
TTR-6.0ZJ	Black	6.00" x 1,476 ft.	152mm x 450m	•			
TTR-6.5Z	Black	6.50" x 985 ft.	165mm x 300m	•			



• • • **NOTES** • • •

A large rectangular area filled with a grid of dashed lines, intended for taking notes. The grid consists of 20 columns and 30 rows of small squares.



**Labels for Life.**

[www.identco.com](http://www.identco.com)

**UNITED STATES  
HEADQUARTERS**

28164 W. Concrete Drive  
Ingleside, IL 60041  
Phone: +1 (815) 385 - 0011  
Fax +1 (815) 385 - 0359

**MEXICO  
MONTERREY**

Carr. a Laredo Km. 16.5 Interior  
14B, Col. Moisés Sáenz, 66613  
Apodaca, Nuevo Leon  
Phone: +52 (81) 8008 - 0438

**GERMANY  
FRANKFURT**

Güterbahnhofstrasse 3-7  
63450 Hanau  
Phone: +49 (6181) 440 830 - 0  
Fax: +49 (6181) 440 830 - 99

**PRC  
HONG KONG**

Unit 1708, 17/F, 9 Wing Hong St.  
Cheung Sha Wan, Kowloon  
Phone: +852 2959 2156  
Fax: +852 2959 2019

**MALAYSIA  
PENANG**

Suite 163E, Level 16, Room 1602  
Hunza Tower Gurney Paragon  
Jalan Kelawei, Georgetown  
10250 Penang  
Phone: +6012 466 - 0866