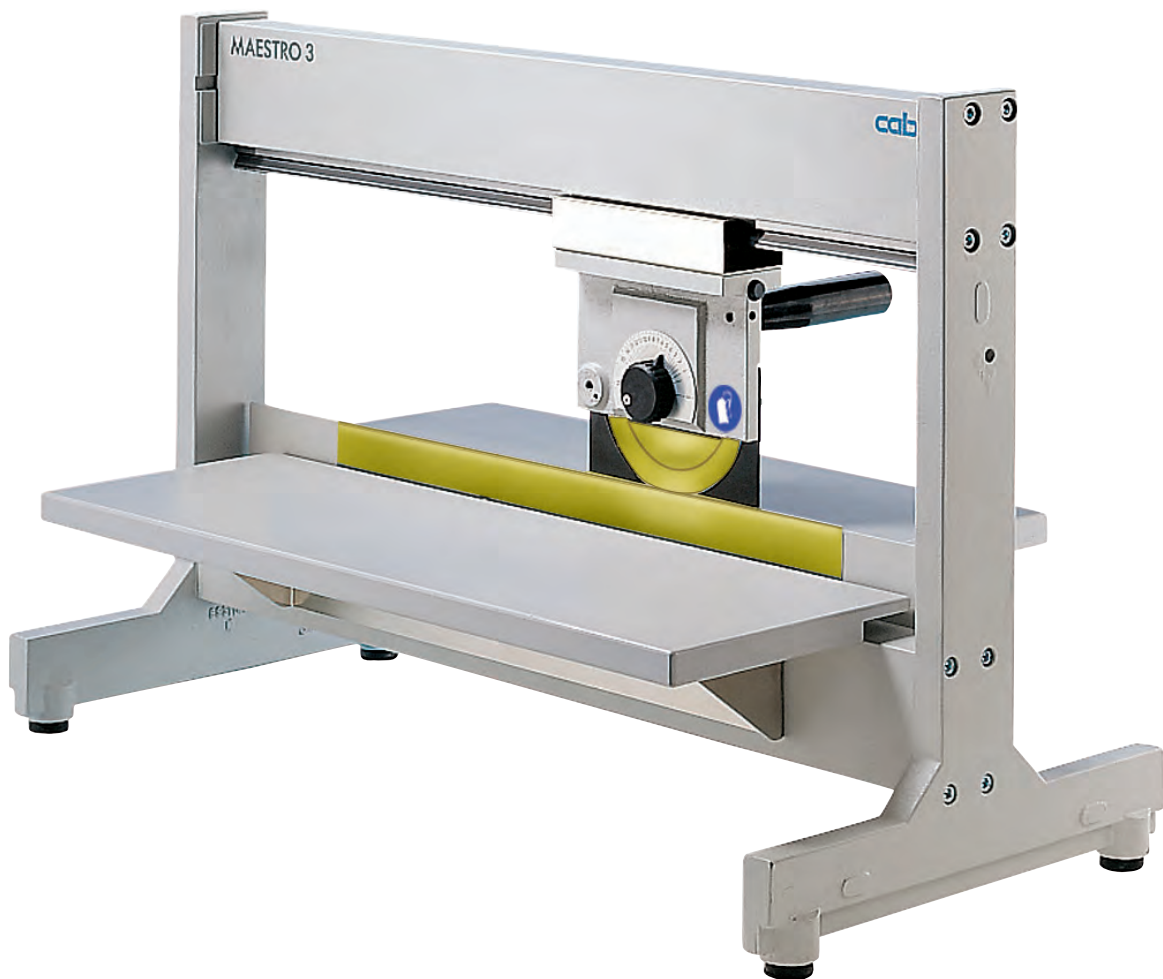


Spare Parts List



PCB Separator

# MAESTRO 3E

Description	Type
PCB Separator	MAESTRO 3E

**Edition:** 05/2019 - Part No. 9008103

**Copyright**

This documentation as well as translation hereof are property of cab Produkttechnik GmbH & Co. KG. The replication, conversion, duplication or divulgement of the whole manual or parts of it for other intentions than its original intended purpose - in particular the procurement of spare parts for products sold by cab – demand the previous written authorisation by cab.

**Editor**

Regarding questions or comments please contact cab Produkttechnik GmbH & Co. KG.

**Topicality**

Due to the constant further development of our products discrepancies between documentation and product can occur. Please check [www.cabgmbh.com](http://www.cabgmbh.com) for the latest update.

**Terms and conditions**

Deliveries and performances are effected under the “General conditions of sale of cab”

**Contents**

- 1 Spare Parts ..... 3
- 2 Spare Parts Register ..... 5
- 3 Packaging/Delivery Contents..... 5
- 4 Accessories ..... 5

Germany  
**cab Produkttechnik GmbH & Co KG**  
Karlsruhe  
Phone +49 721 6626 0  
[www.cab.de](http://www.cab.de)

USA  
**cab Technology, Inc.**  
Chelmsford, MA  
Phone +1 978 250 8321  
[www.cab.de/us](http://www.cab.de/us)

Taiwan  
**cab Technology Co., Ltd.**  
Taipei  
Phone +886 (02) 8227 3966  
[www.cab.de/tw](http://www.cab.de/tw)

China  
**cab (Shanghai) Trading Co., Ltd.**  
Guangzhou  
Phone +86 (020) 2831 7358  
[www.cab.de/cn](http://www.cab.de/cn)




France  
**cab Technologies S.à.r.l.**  
Niedermodern  
Phone +33 388 722501  
[www.cab.de/fr](http://www.cab.de/fr)

Mexico  
**cab Technology, Inc.**  
Juárez  
Phone +52 656 682 4301  
[www.cab.de/es](http://www.cab.de/es)







China  
**cab (Shanghai) Trading Co., Ltd.**  
Shanghai  
Phone +86 (021) 6236 3161  
[www.cab.de/cn](http://www.cab.de/cn)

South Africa  
**cab Technology (Pty) Ltd.**  
Randburg  
Phone +27 11 886 3580  
[www.cab.de/za](http://www.cab.de/za)

	8931118.001
---	-------------






	5905183.001
	5903028.001
	5902178.001



	8931154.001
--	-------------

	5903025.001
	8936645.001
	Part only for machines from serial number 2000 ! For machines up to serial number 1999 please order the assembly part no. 8930908.001 !
	8930908.001
	5903023.001
	5902169.001
	8931617.001

	8930635.001
---	-------------




	8936614.001 <sup>2)</sup>
	8936615.001 <sup>2)</sup>
	5903010.001 <sup>2)</sup>
	8936643.001 <sup>2)</sup>
	8930590.001 <sup>2)</sup>






	8930602.001 <sup>1)</sup>
	8930603.001 <sup>1)</sup>
	5903047.001 <sup>1)</sup>
	5902048.001 <sup>1)</sup>
	5903003.001 <sup>1)</sup>
<sup>1)</sup> up to serial no. 1999 <sup>2)</sup> from serial no. 2000	


	5903082.001
	5902273.001

	8931623.001
--	-------------




	8931612.001
	5903026.001
	8930509.001
	8931626.001


	8931166.001
	5903037.001
	5902096.001

	8930605.001
	8933394.001
	5903010.001
	5902169.001
	5902122.001

	8931165.001
	5903037.001
	5902096.001

	5909002.001
--	-------------

	8930949.001
	5903028.001
	5902169.001

	8931120.001
	
	
	8931130.001
	

## 2 Spare Parts Register

5

Pos.	Figure/Page		Part No.	Description	PU	SPR				Serial No.	
										from	to
1	3		5902048.001	Screw DIN912-M4x8	10						
2		4	5902122.001	Screw DIN923-M6x6	10						
3	3	4	5902169.001	Screw DIN912-M6x14	10						
4	3		5902178.001	Screw DIN912-M6x20	10						
5	3		5902273.001	Screw DIN7985-M5x30	10						
6	3		5903003.001	Washer DIN125-A4.3	10						
7	3	4	5903010.001	Spring Washer DIN137-A6	10						
8	3		5903023.001	Lock Washer DIN127-B6	10						
9	3		5903025.001	Washer DIN988-6x12x0.2	10						
10		4	5903026.001	Washer DIN988-15x21x0.1	10						
11	3	4	5903028.001	Washer DIN433-6.4	10						
12	3		5903047.001	Washer DIN988-4x8x0.1	10						
13	3		5903082.001	Washer 5.3x11.5x1.4	10						
14	3		5905183.001	Guide L=640	1						
15		4	8930509.001	Circular Blade	1	A	B	C	D		
16	3		8930590.001	Screw	1						
17	3		8930602.001	Shield	1	A	B	C	D		1999
18	3		8930603.001	Shield	1	A	B	C	D		1999
19		4	8930605.001	Eccentric Axle	1						
20	3		8930635.001	Handle	1						
21	3		8930908.001	Sliding Carriage	1						
22		4	8930949.001	Blade Shield	1				D		
23	3		8931118.001	Frame	1						
24	3		8931154.001	Cover	1						
25		4	8931612.001	Washer	1						
26	3		8931617.001	Scale	1						
27	3		8931623.001	Adjusting Mechanism	1				D		
28		4	8931626.001	Knurled Nut	1				D		
29		4	8933394.001	Linear Blade	1	A	B	C	D		
30	3		8936614.001	Shield	1	A	B	C	D	2000	
31	3		8936615.001	Shield	1	A	B	C	D	2000	
32	3		8936643.001	Eccentric Axle	1					2000	
33	3		8936645.001	Sliding Carriage	1					2000	

## 3 Packaging/Delivery Contents

Pos.	Figure/Page		Part No.	Description	PU	SPR				Serial No.	
										from	to
34		4	5902096.001	Screw DIN7985-M5x12	10						
35		4	5903037.001	Washer DIN9021-5.3	10						
36			5909002.001	Key DIN911-2	1						
37		4	8931165.001	Filing Table	1						
38		4	8931166.001	Adjustable Platform	1						
39			8931209.001	Packaging	1						

## 4 Accessories

Pos.	Figure/Page		Part No.	Description	PU	SPR				Serial No.	
										from	to
40		4	8931120.001	Adjustable Platform	1						
41		4	8931130.001	Filing Table	1						
42			8970208.001	Dial Gauge	1						

PU Package unit  
 SPR Recommendation  
 A - wearing parts and accessories  
 B - recommended spare parts for quick repair

C - recommended spare parts for distributors  
 D - recommended spare parts for central stores

This page is intentionally left blank.